

Storm VR/VRC1250



| Model | VR/VRC1250 |
|---------------------|--|
| VESSEL LENGTH | 10–13m 32–42ft |
| POWER SUPPLY (DC) | 12/24V |
| MOTOR (Watts) | 1000 |
| HYDRAULIC PRESSURE | 8MPa 1160PSI |
| HYDRAULIC FLOW | 15L/min 4gal/min |
| MAX LOAD | 500kg 1100lb |
| WORK LOAD | 125kg 275lb |
| AMPS WORK LOAD (DC) | 125/60 |
| MAX LINE SPEED | 15m/min 48ft/min |
| CHAIN SIZE | 6 mm (1/4") 8 mm (5/16") 10 mm (3/8") |
| ROPE SIZE | 12 mm (1/2") 14 mm (9/16") 16mm (5/8") |
| NET WEIGHT | DC VR 20kg VRC 22kg DC VR 44lb VRC 48lb HYD VR 15.5kg VRC 17kg HYD VR 34lb VRC 38lb |
| MANUAL OPERATION | MOS (std on most gypsy sizes) |

Features

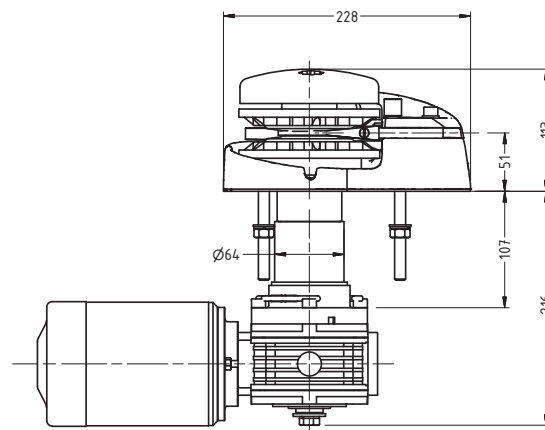
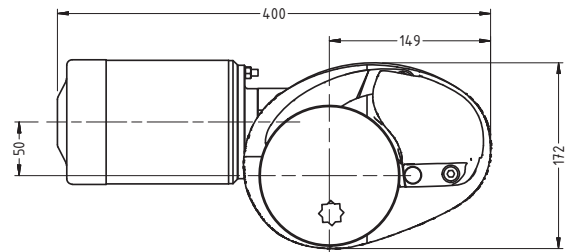
- Polished stainless steel components
- Rope chain combination gypsy
- Rope Chain Management System (RCMS)
- Quick release integrated swivel chain pipe cover
- Gypsy with low profile clutch top arrangement
- Heavy duty marine grade, dual direction motor in 12V and 24V DC, Hydraulic
- Independent gypsy and capstan operation
- Capstan model features heavy duty knurled finish for increased grip
- Quick fit adaptor
- Stainless steel shaft
- Cone clutch/brake
- Stainless steel mounting studs
- Shaft seal
- Self lubricating bush
- Clutch release handle
- Installation/Operation booklet
- Manual Operation System (MOS)



Options

- Extra deck clearance kit for deck up to 150mm/6"
- Full range of accessories including chain, rope, chain stoppers, snubber kits and devil claws
- Electric and hydraulic operating options and accessories
- Auto anchor - chain counter.

VR1250



VRC1250

